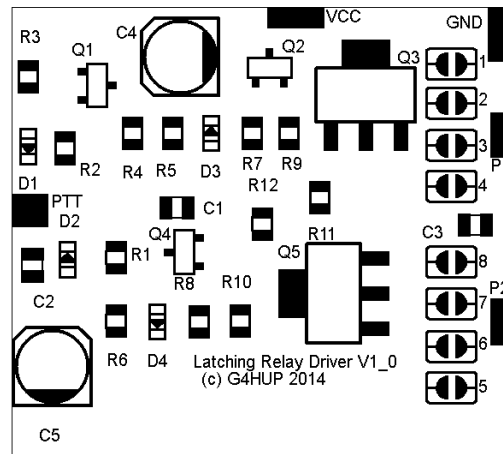


# G4HUP

## Latching Relay Driver

### PCB Overlay



DC Input voltage – 12 to 28V

For common high side relays, bridge solder links 2, 4 for Q3, and 5 and 7 for Q5. Connect P1 and P2 to relay coils, and common side of relay to Vcc

For common low side relays, bridge solder links 1 and 3 for Q3, and 6 and 8 for Q5. Connect P1 and P2 to relay coils, and common side of relay to GND.